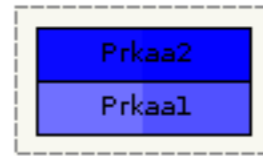
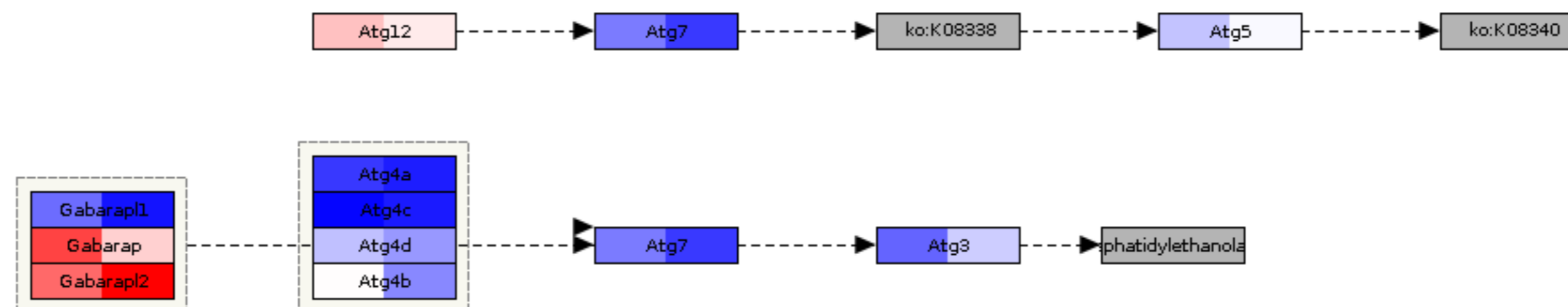
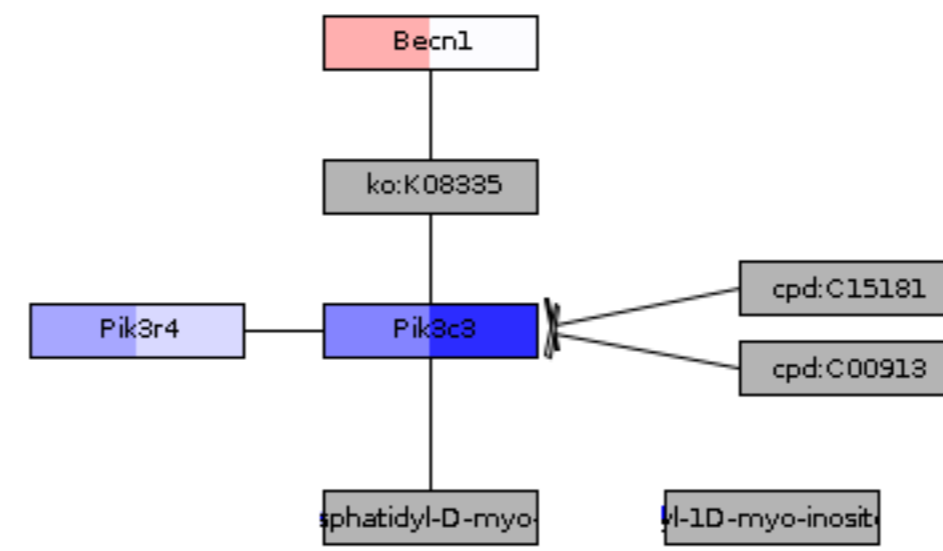
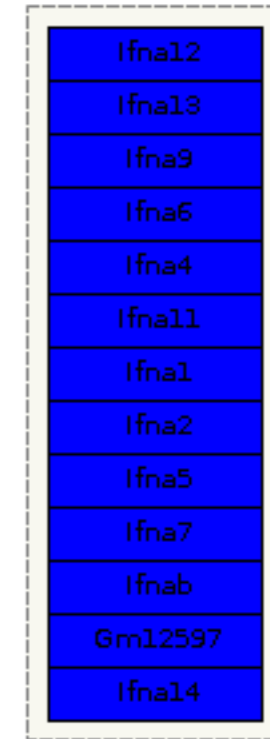
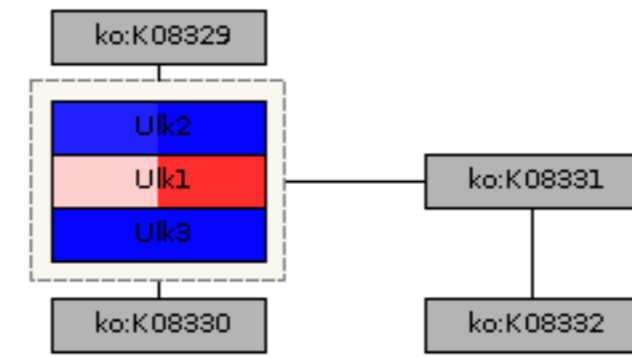


Ins signaling path



PKR signaling path

PK signaling path



actions in vesicle

processing and pr

Apoptosis