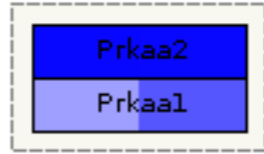
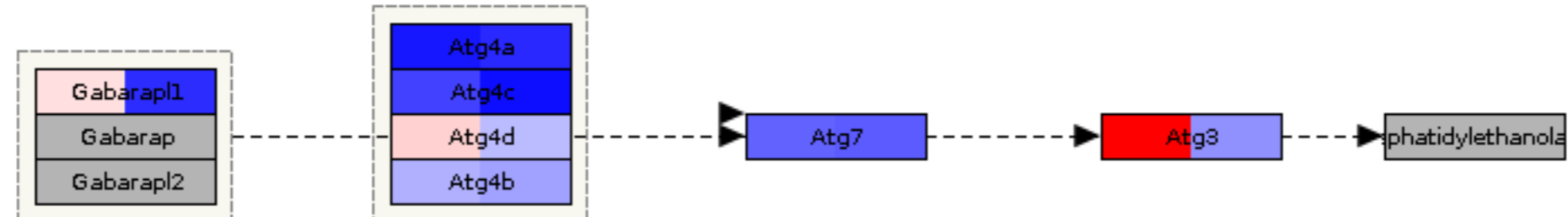
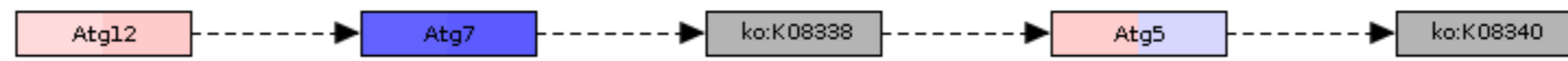
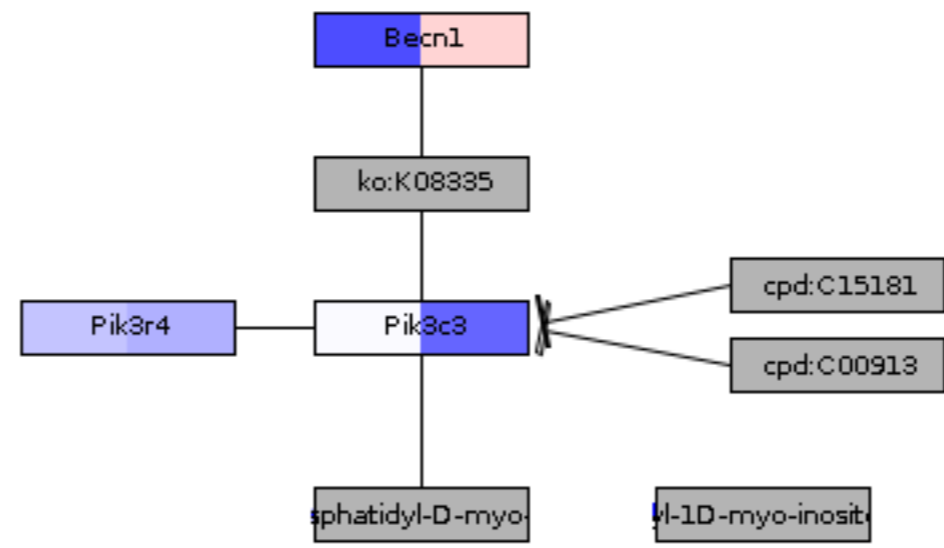
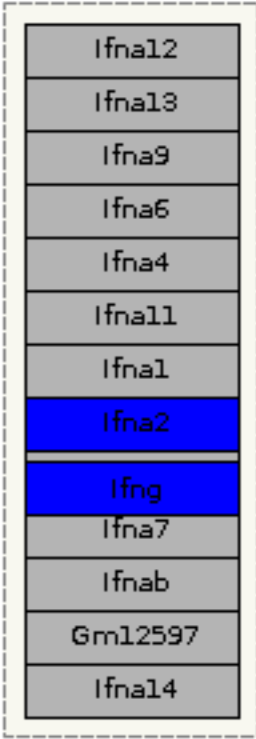
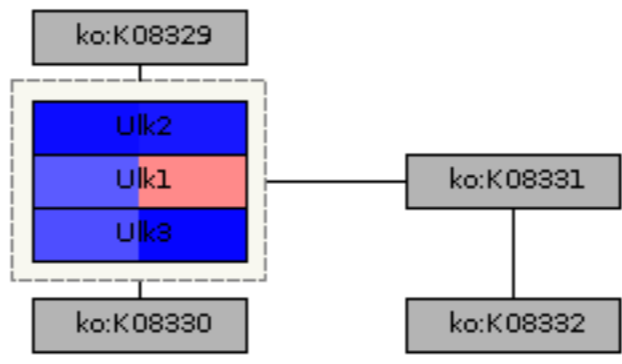


Ins signaling path



PR signaling path

PK signaling path



actions in vesicle

processing and pr

Apoptosis