

Processing and pr

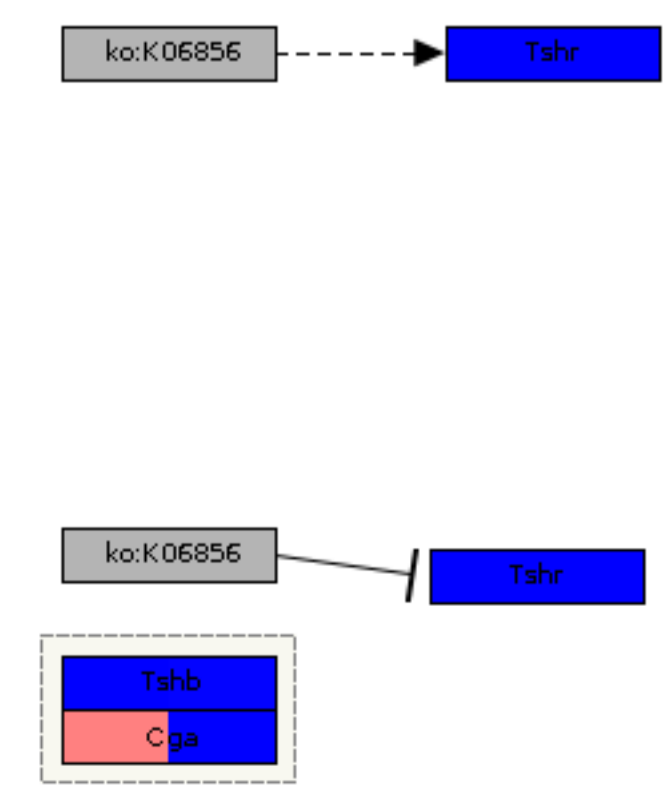
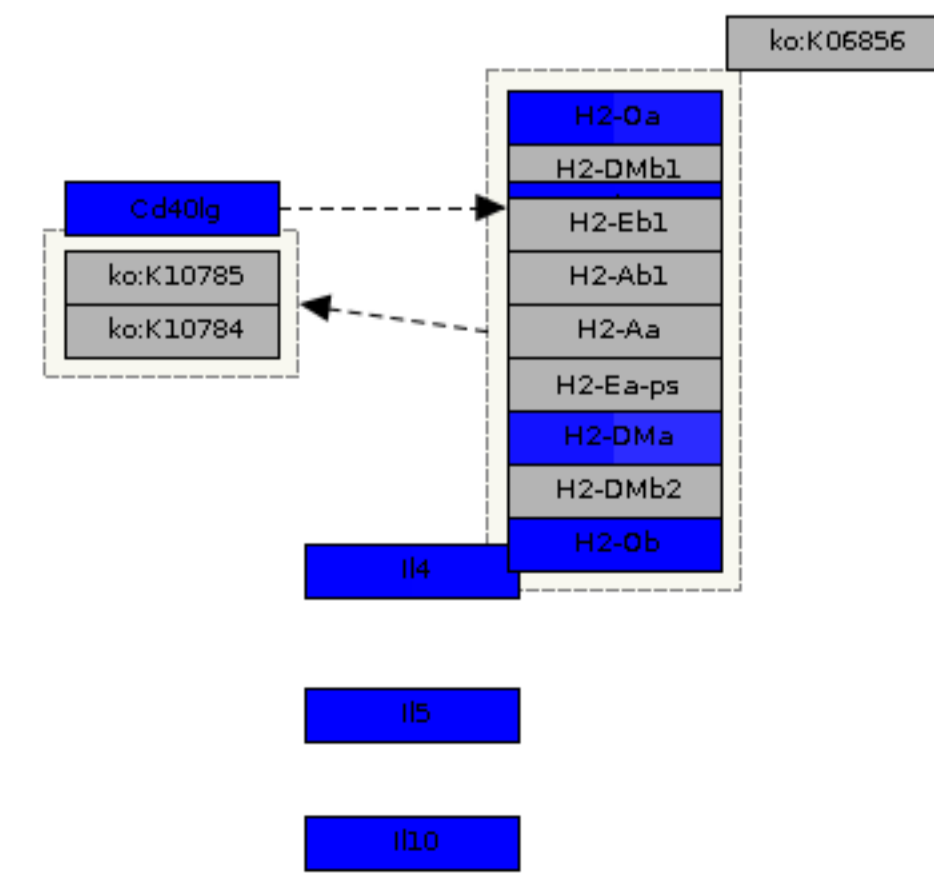
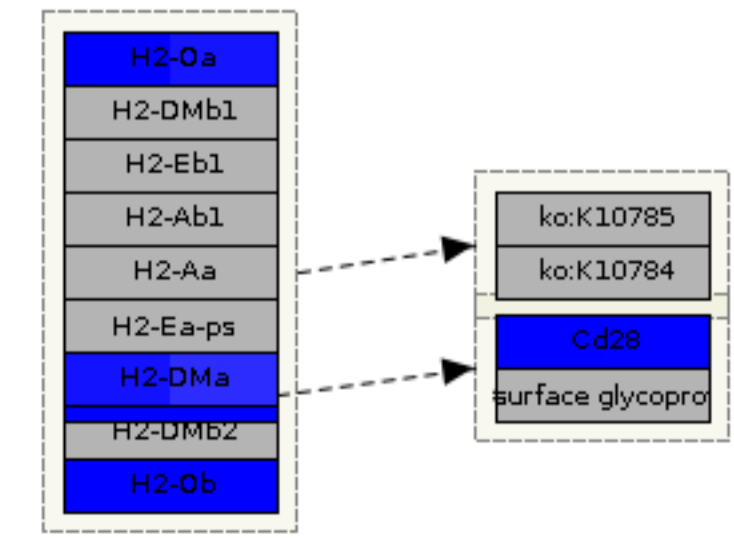
receptor signaling

receptor signaling

fit and coagulat

Apoptosis

lesion molecules



Triiodothyronine

3,5-diiodophenyl-3,5