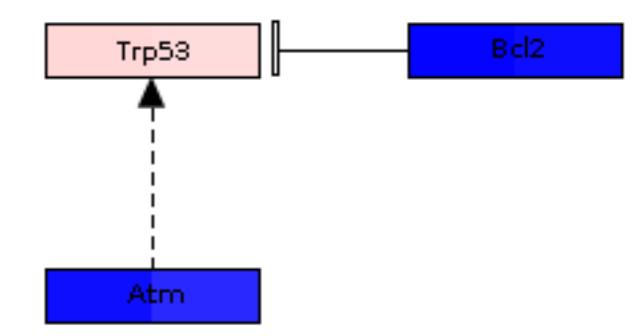


signaling pathway



Cell cycle