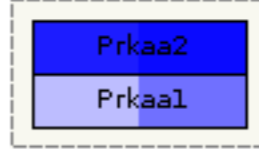


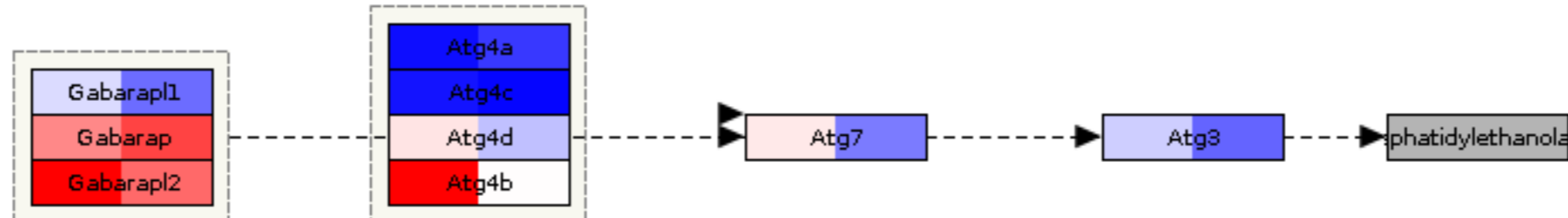
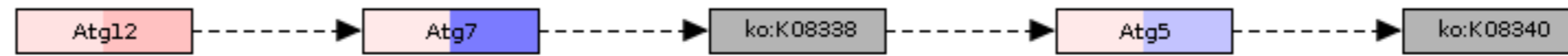
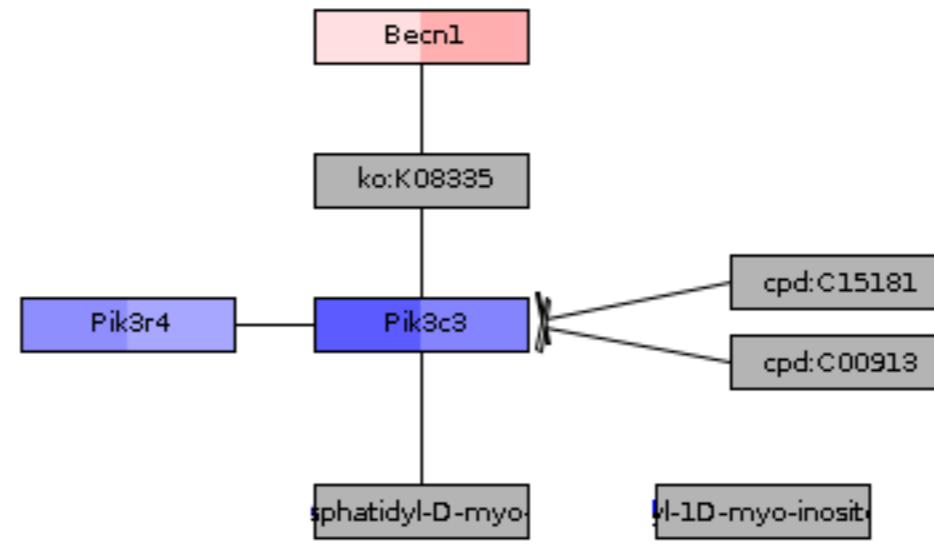
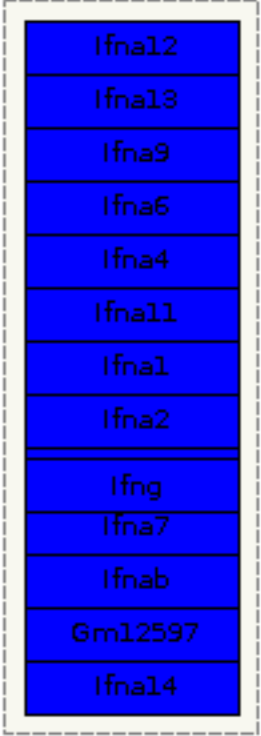
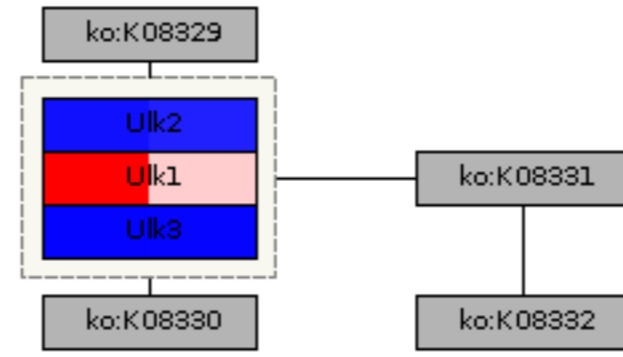


Ins signaling path



PK signaling path

PK signaling path



Apoptosis

actions in vesicle

processing and pr