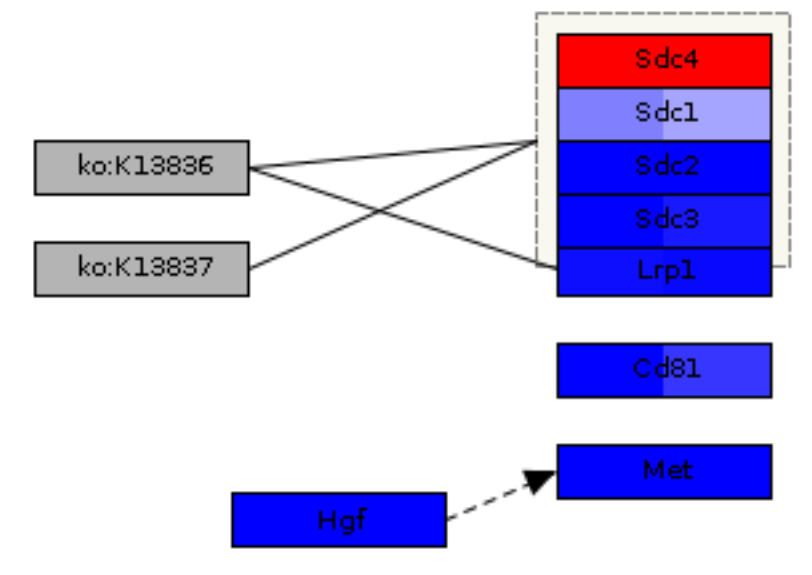


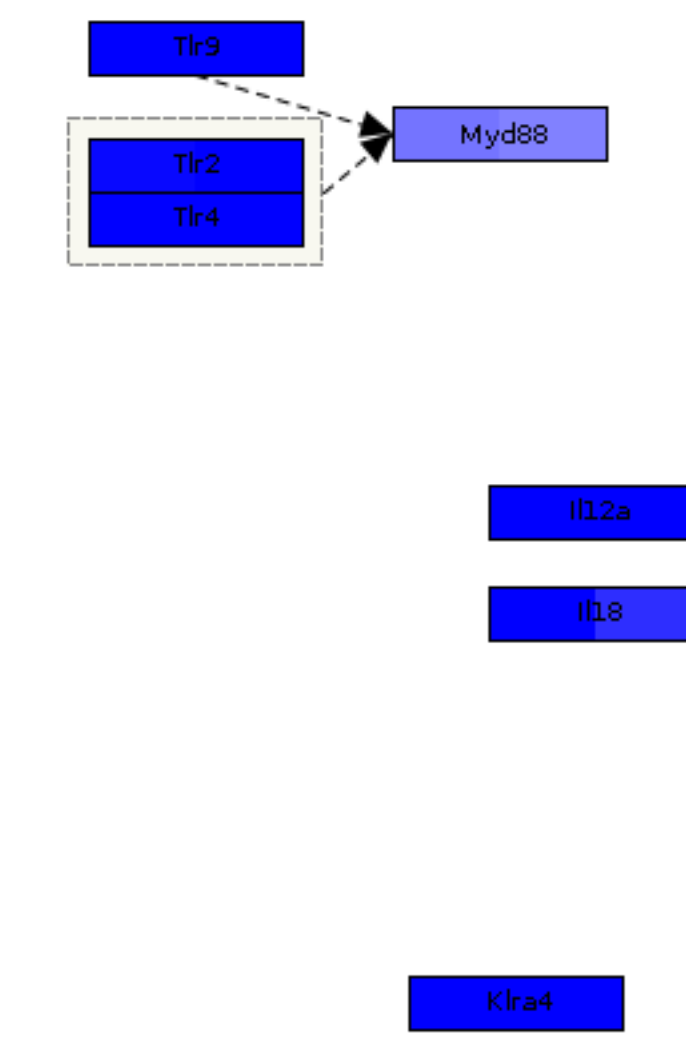
ko.K13833
ko.K13834
ko.K13835



Hbb-b1
Hbb-a2
Hbb-b2

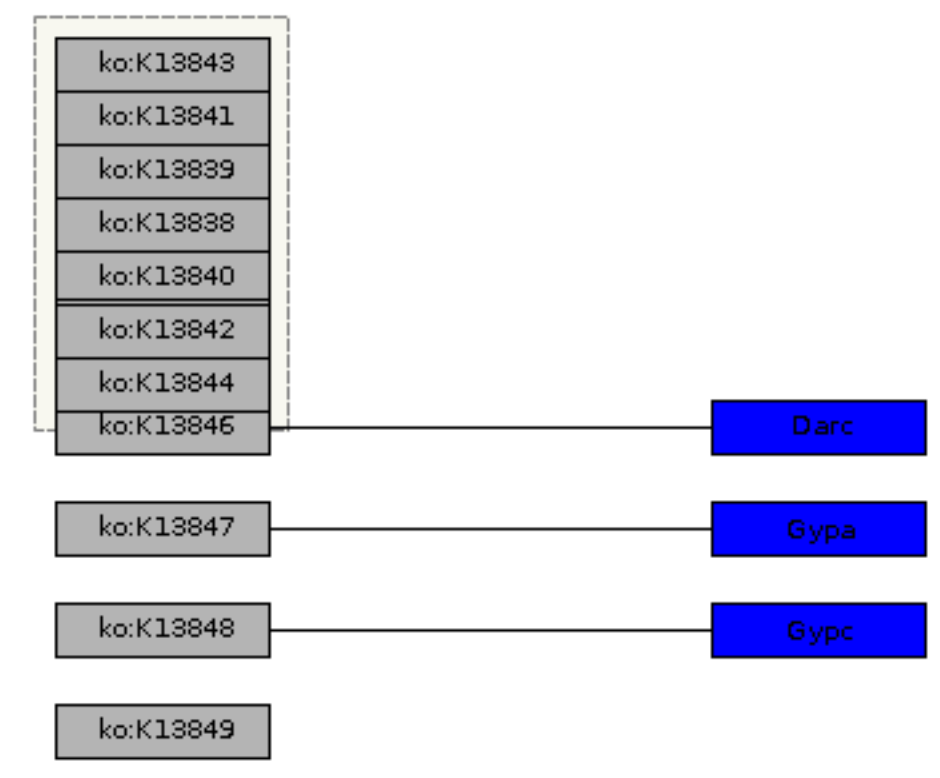
ko.K13850
ko.K13851
ko.K13852

receptor signaling

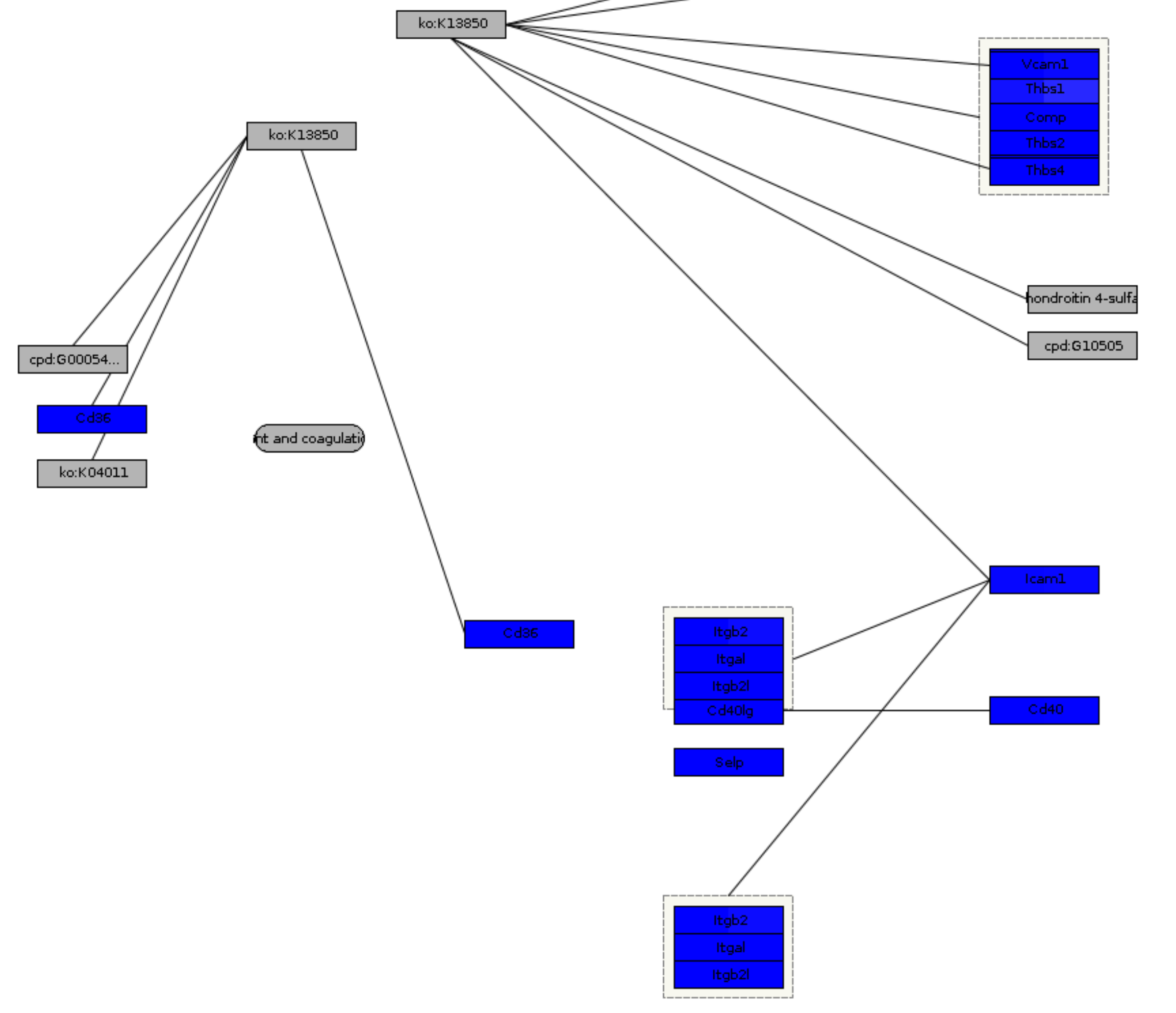


Il10
Tgfb2
Tgfb1
Tgfb3

ko.K10090
Il6
lotif chemokine
Ccl3
Il1b
Tnf
Il1g



Il34
ko.K10785
ko.K10784



Nitric oxide

hesion molecules

Apoptosis