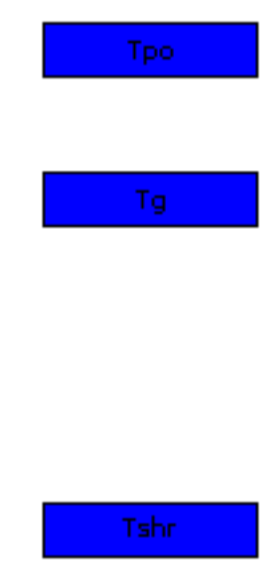


Apoptosis



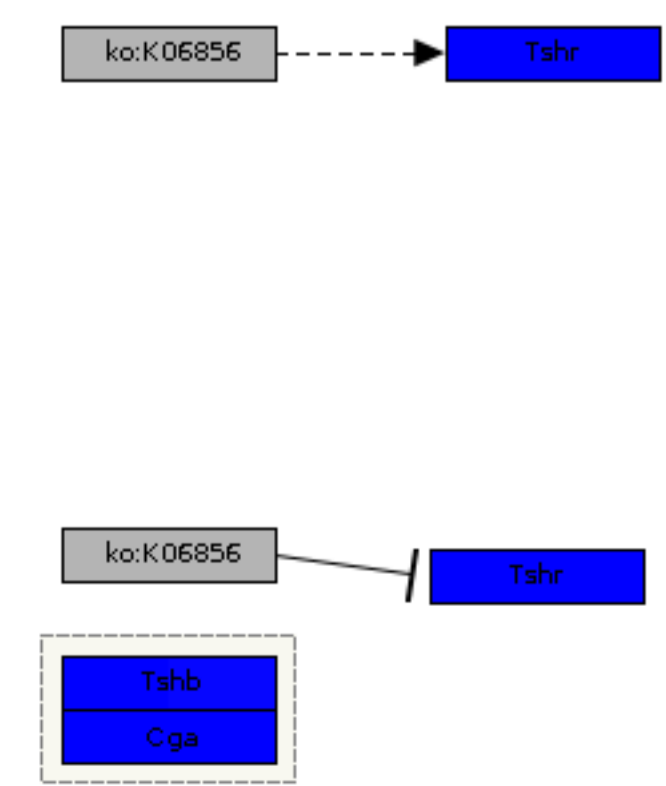
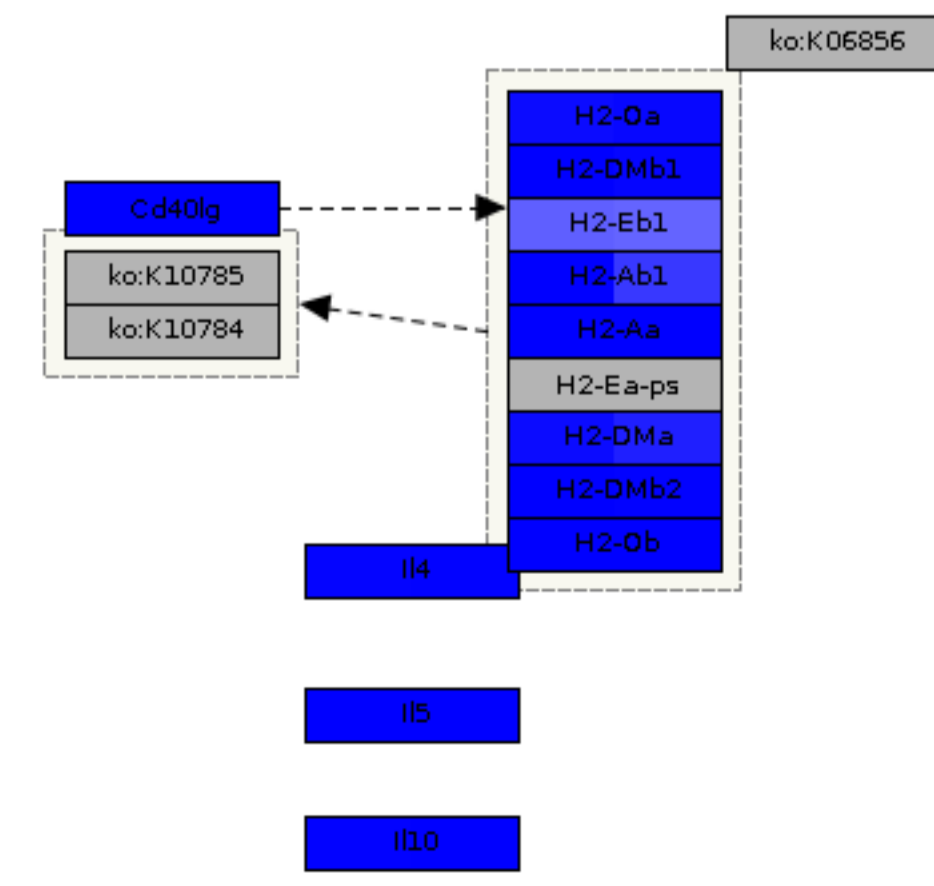
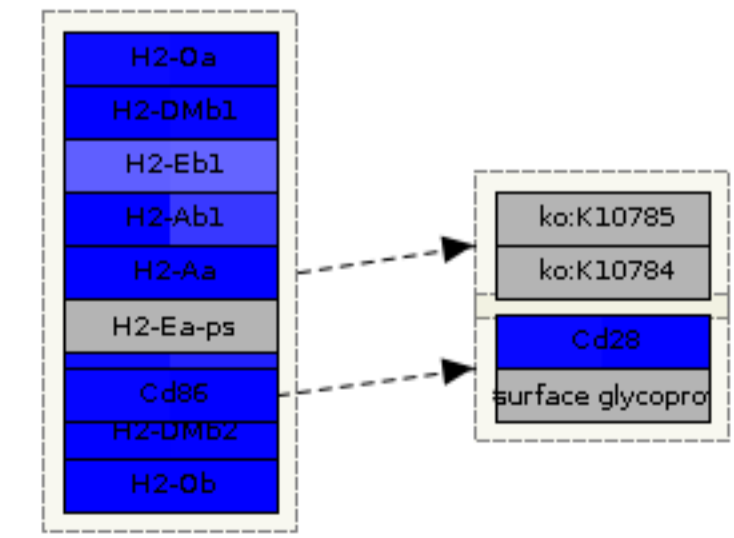
Processing and pr

receptor signaling

receptor signaling

vit and coagulation

lesion molecules



Triiodothyronine

3,5-diiodophenyl-3,5