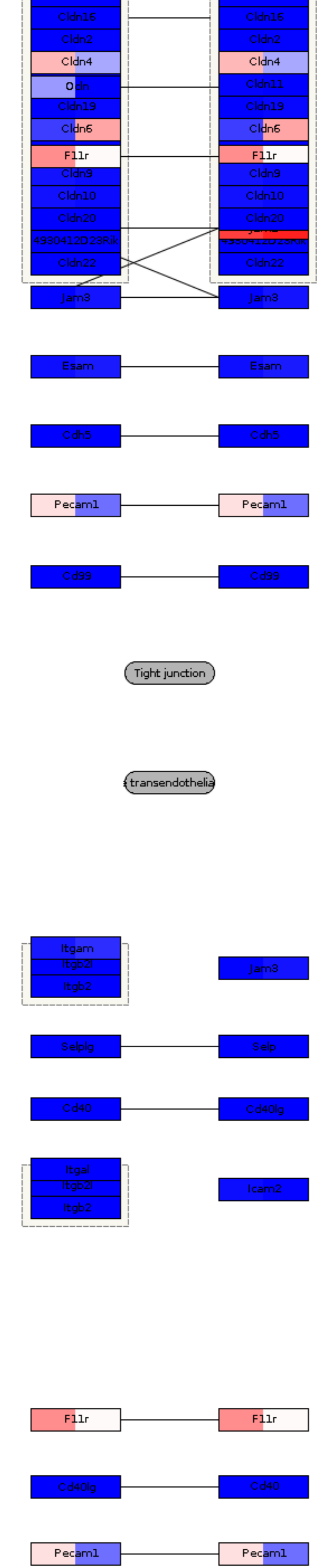
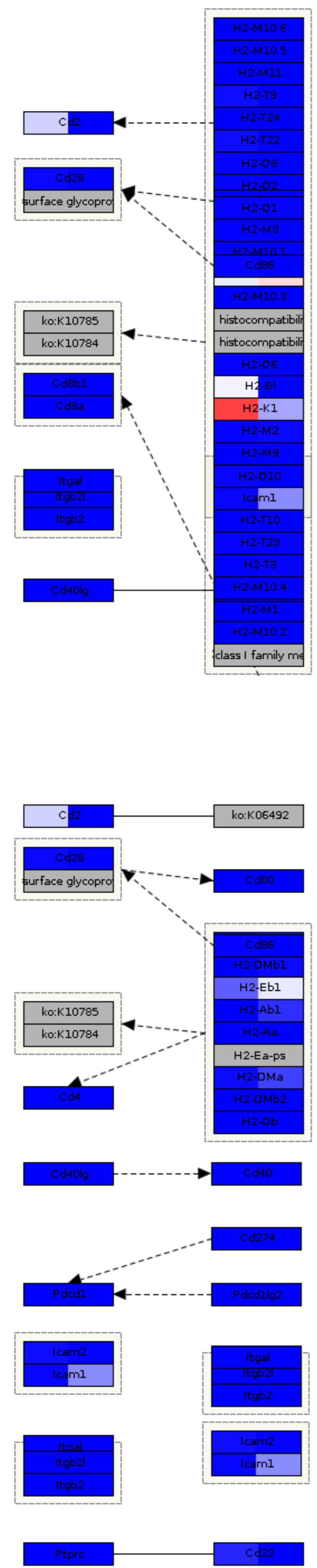
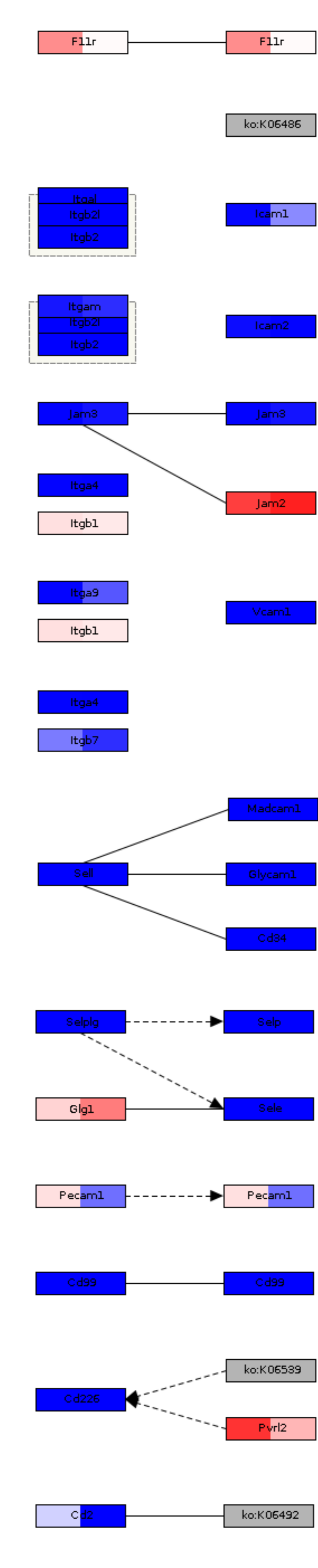


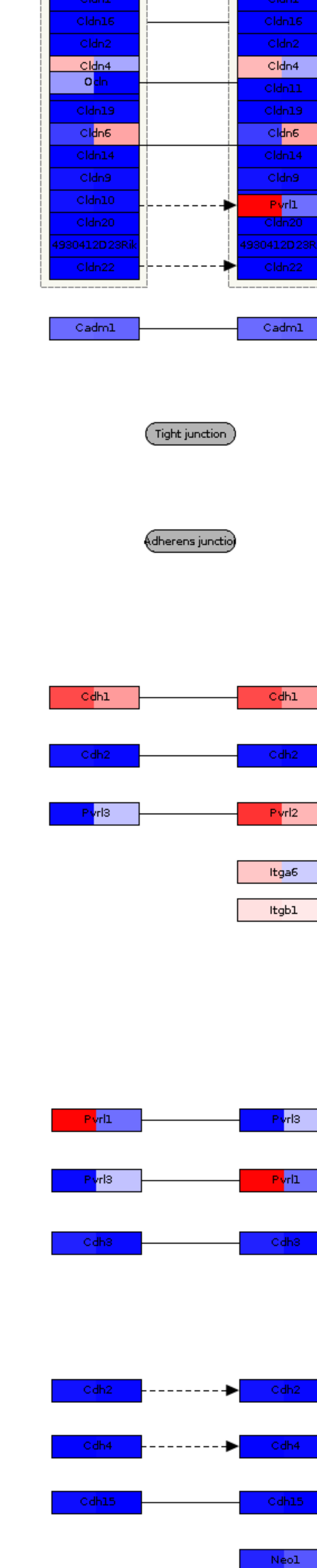
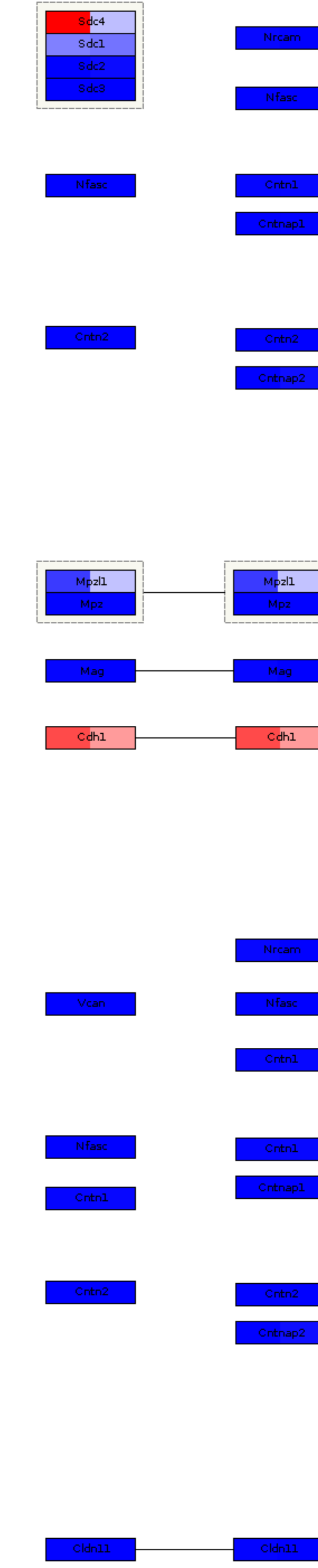
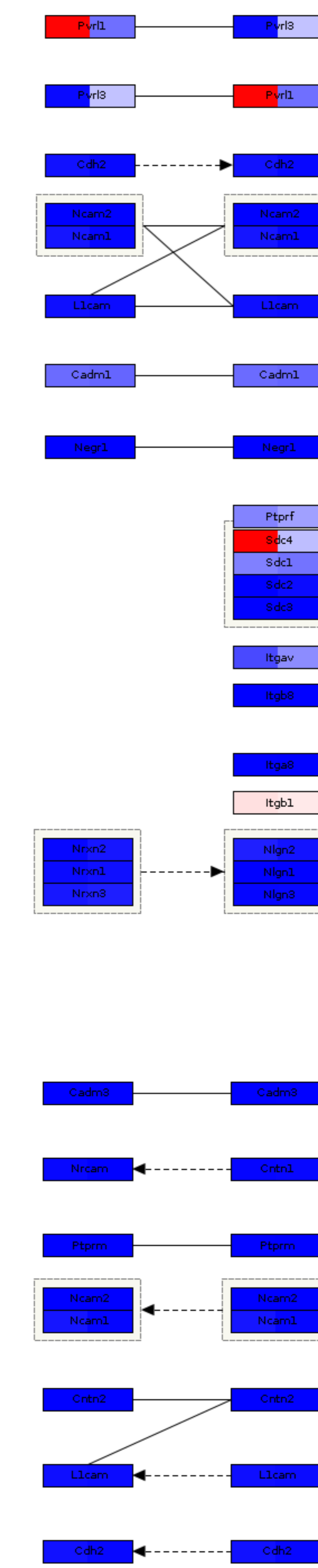
receptor signaling



it and coagulation



transendothelial



adherens junction