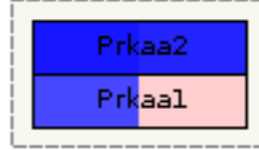


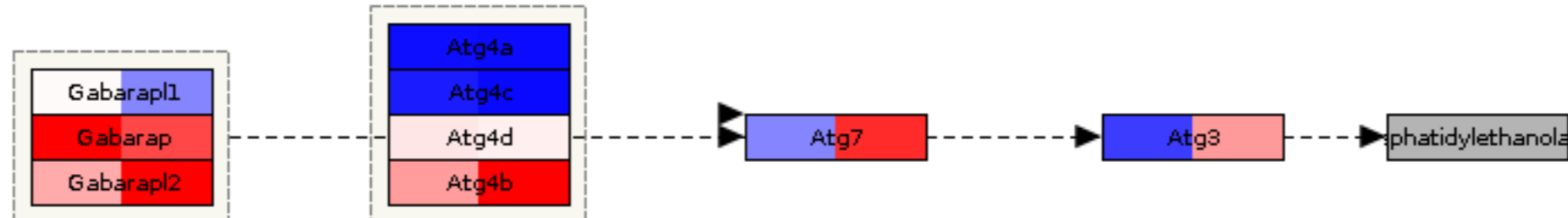
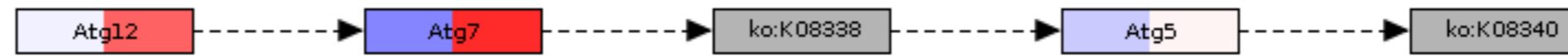
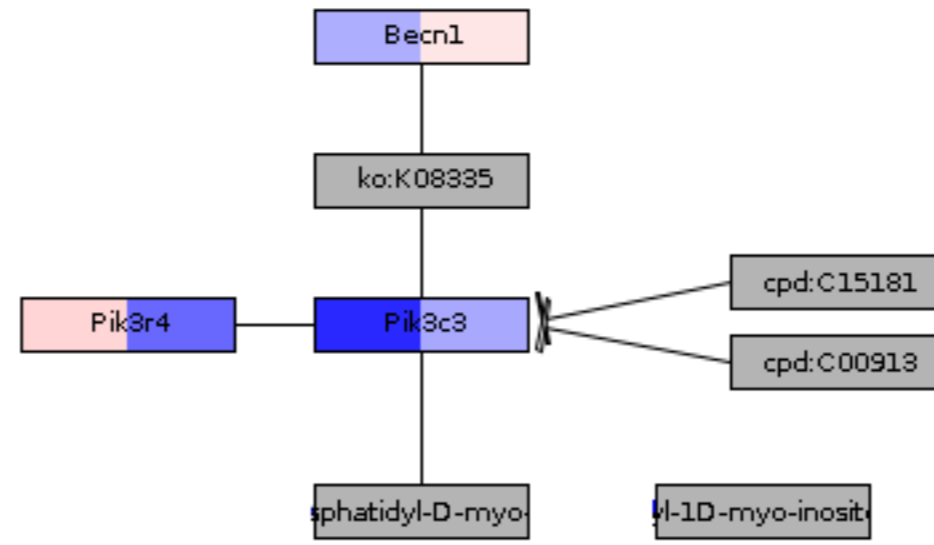
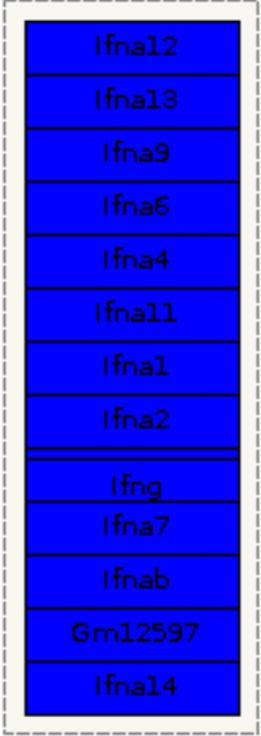
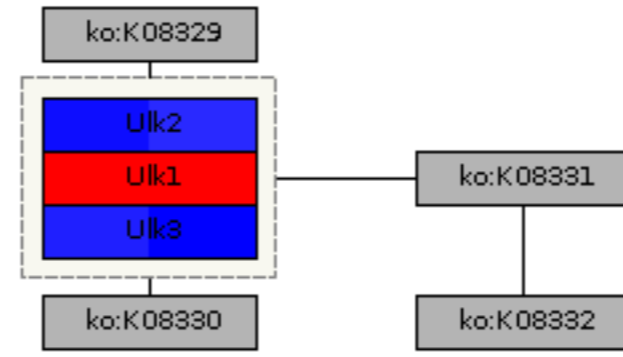


Ins signaling path



PK signaling path

PK signaling path



actions in vesicu

processing and pr

Apoptosis