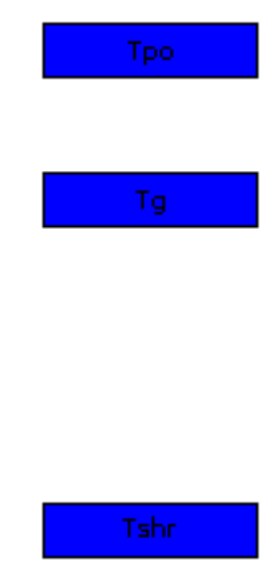


Apoptosis



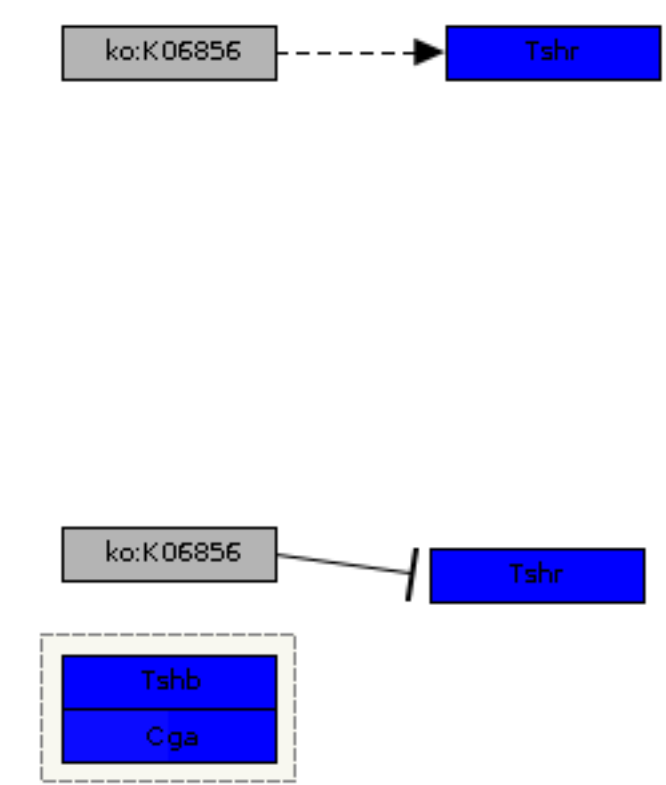
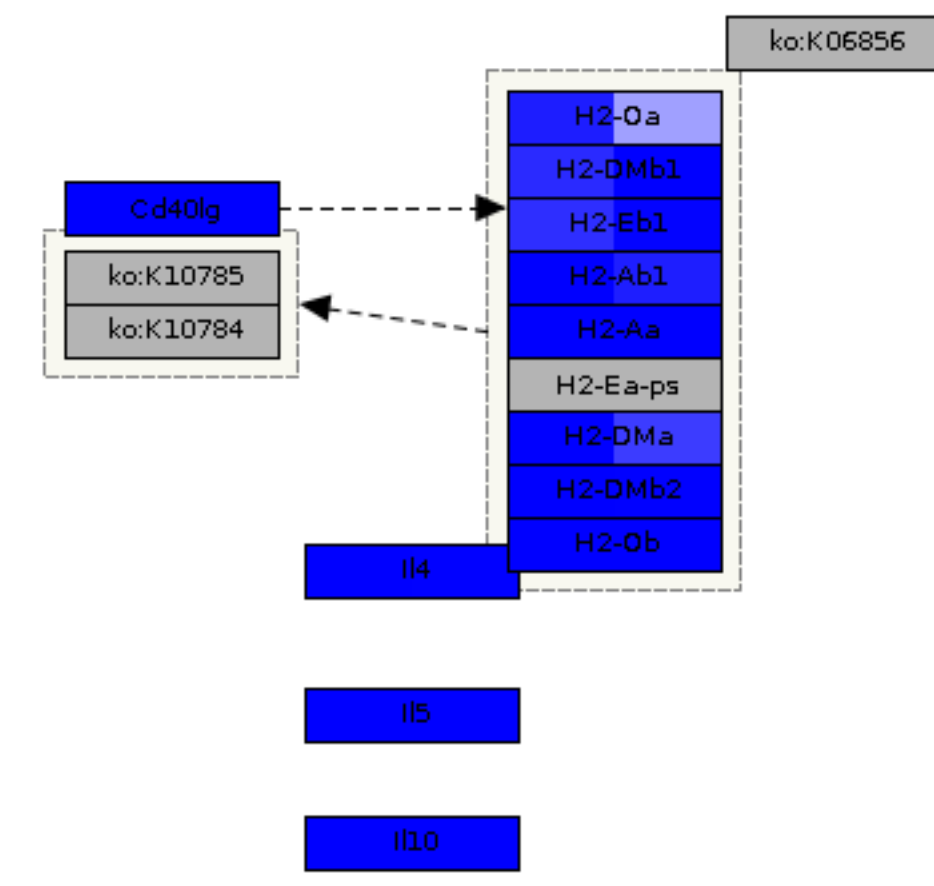
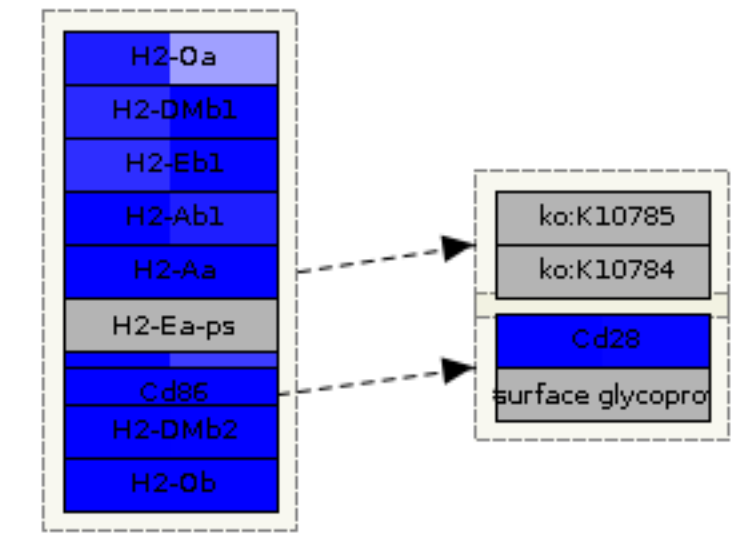
Processing and presentation

Receptor signaling

Receptor signaling

Blood clotting and coagulation

Lesion molecules



Triiodothyronine

3,5-diiodophenyl-L-tyrosine