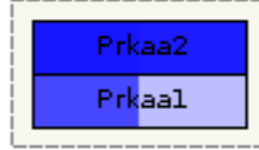


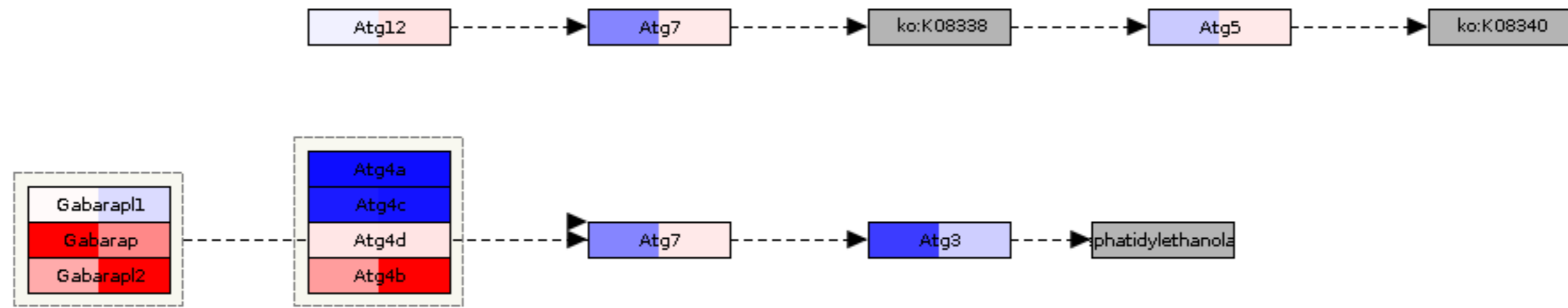
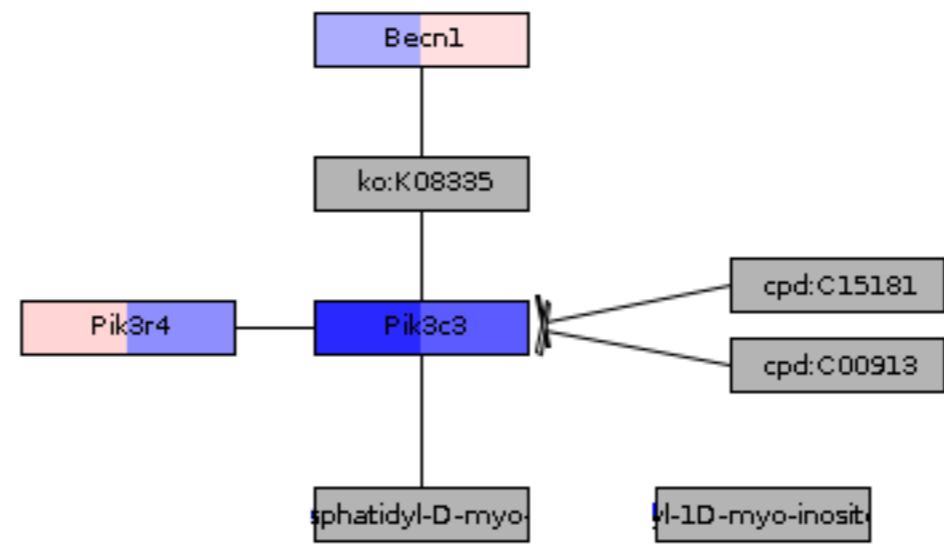
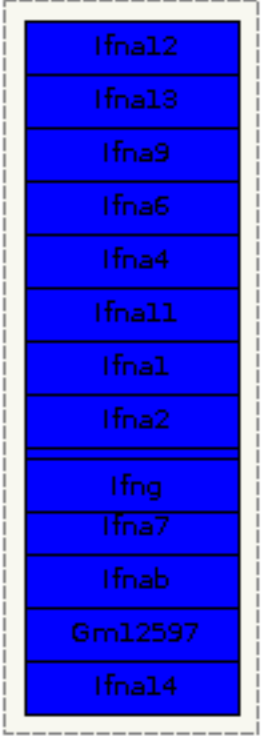
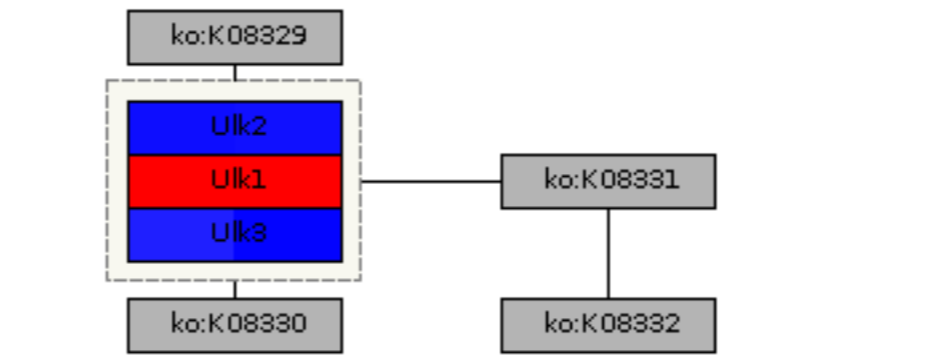


Ins signaling path



PR signaling path

PK signaling path



actions in vesicu

ocessing and pr

Apoptosis