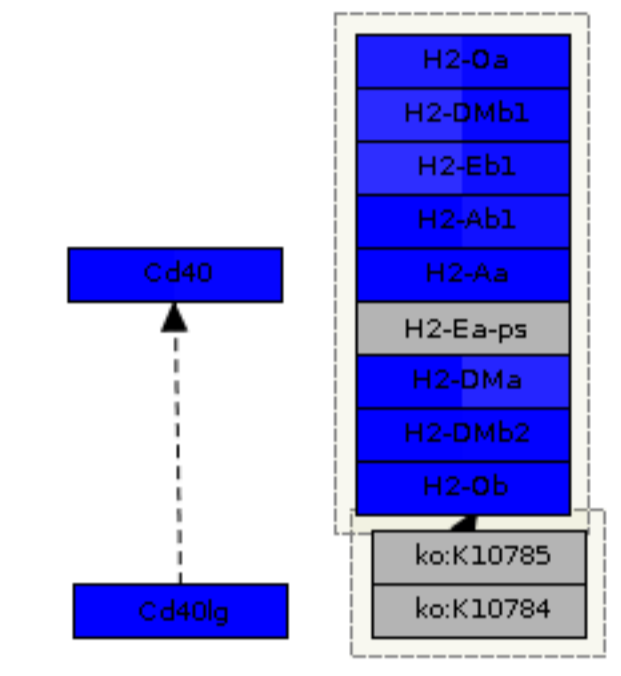
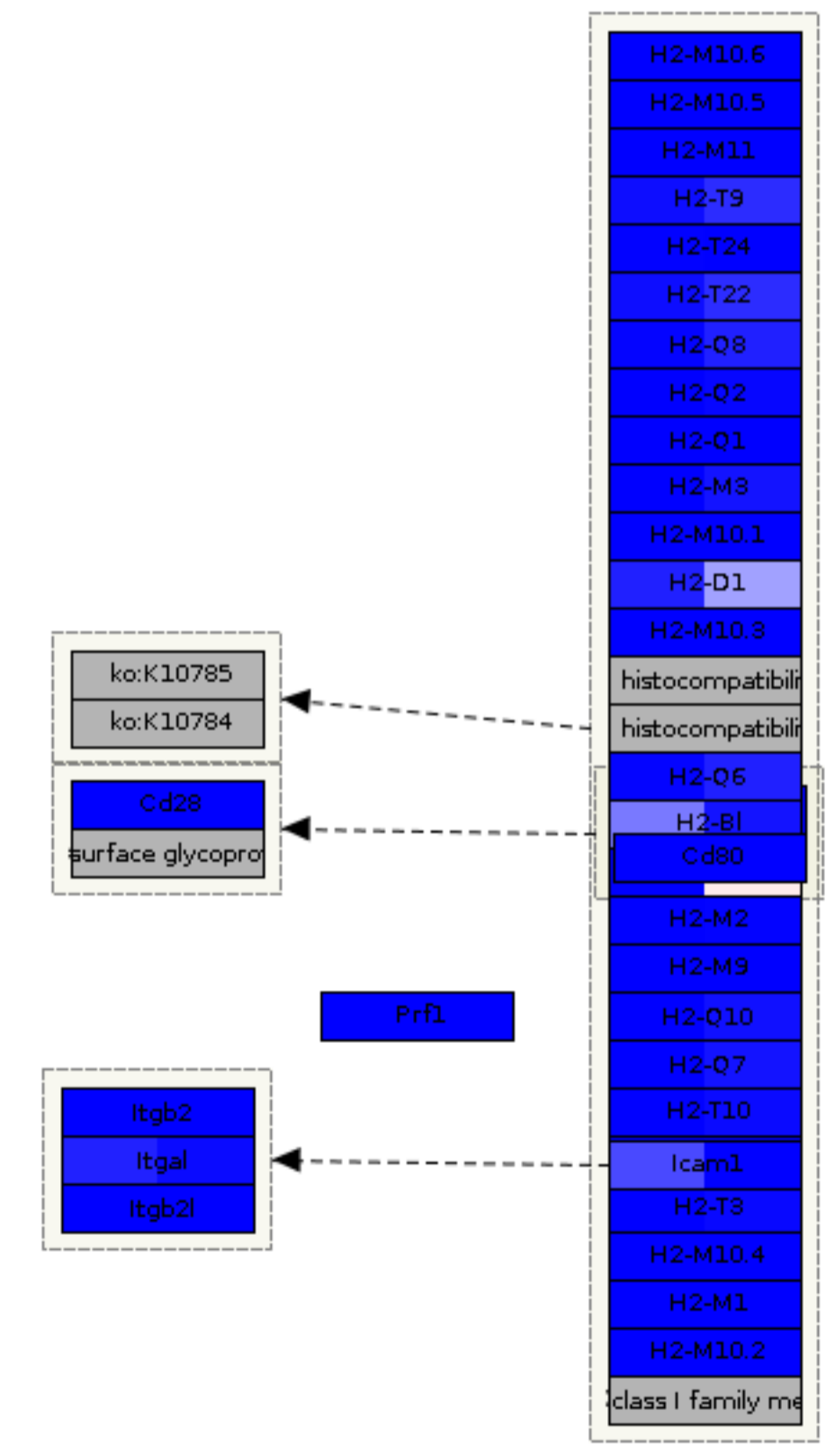


Processing and pr



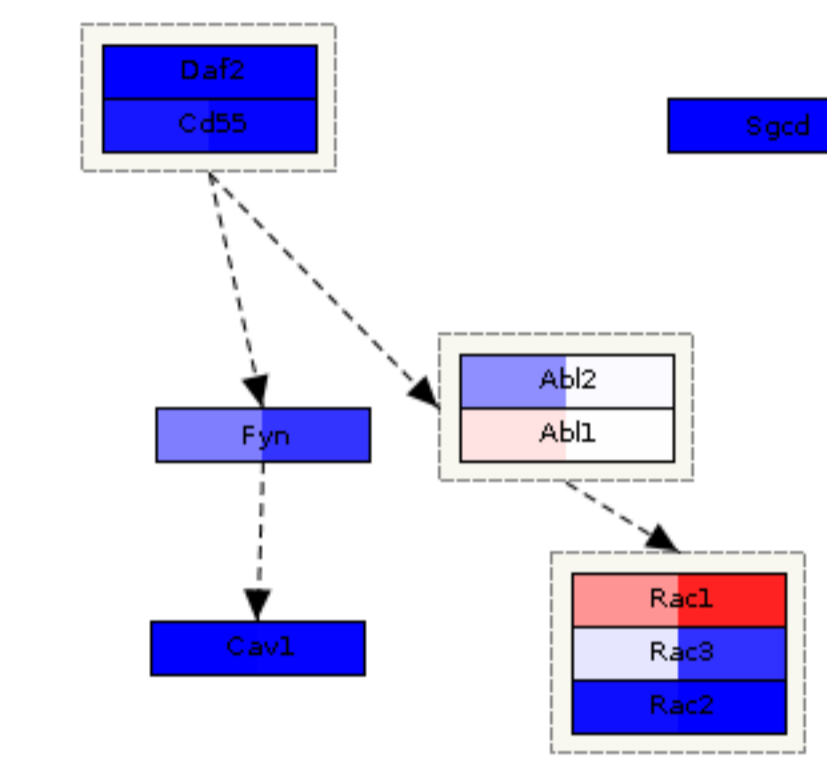
Receptor signaling



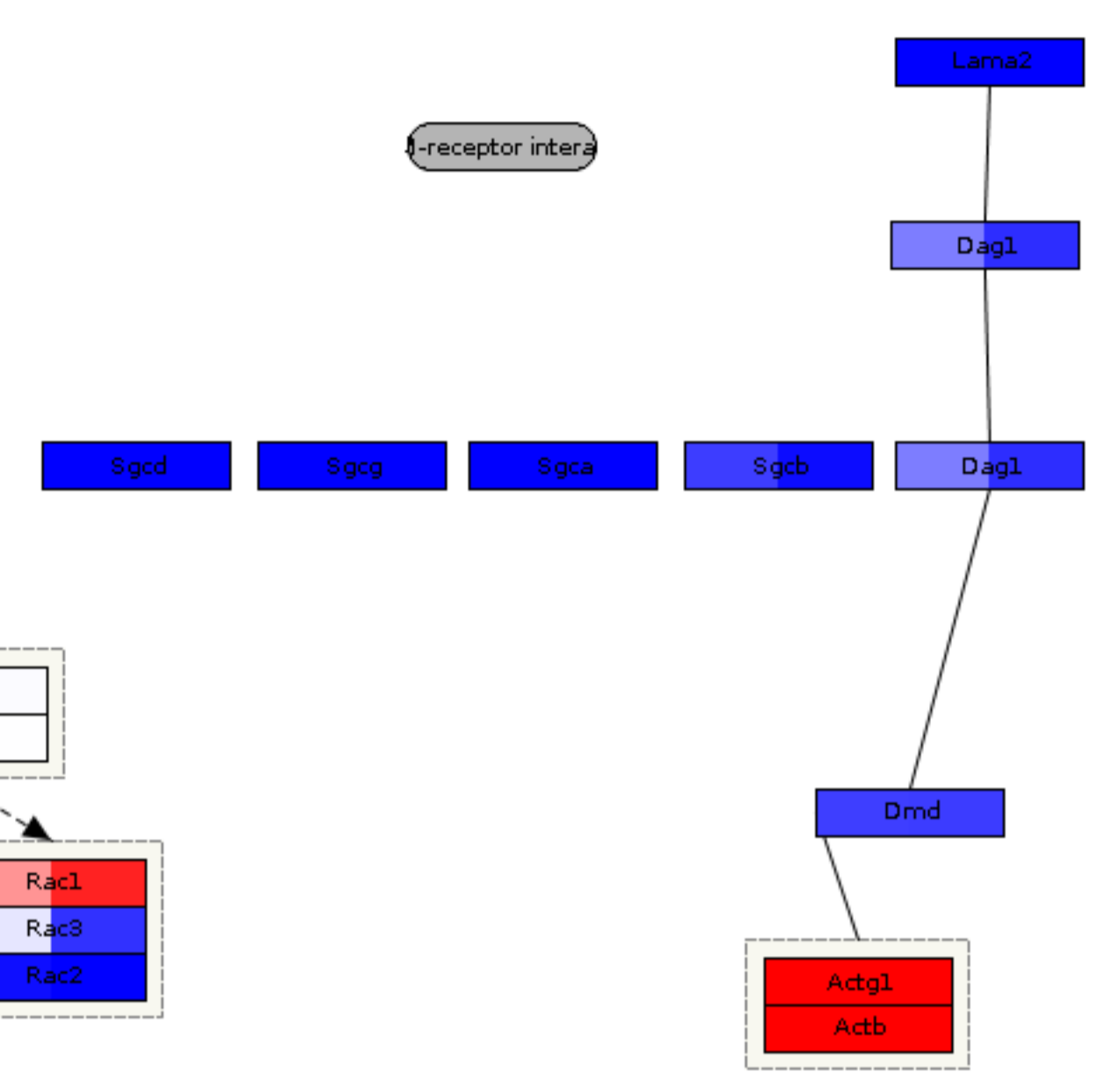
ko:K06856

ko:K06856

Cxadr

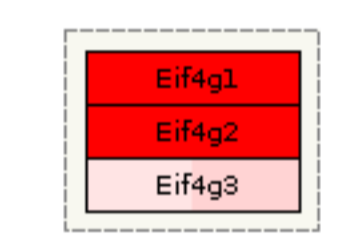


Receptor intere



- Myh10
- Myh7b
- Myh18
- Myh9
- Myh4
- Myh2
- Myh1
- Myh7
- Myh11
- Myh3
- Myh8
- Myh6
- Myh15
- Myh14

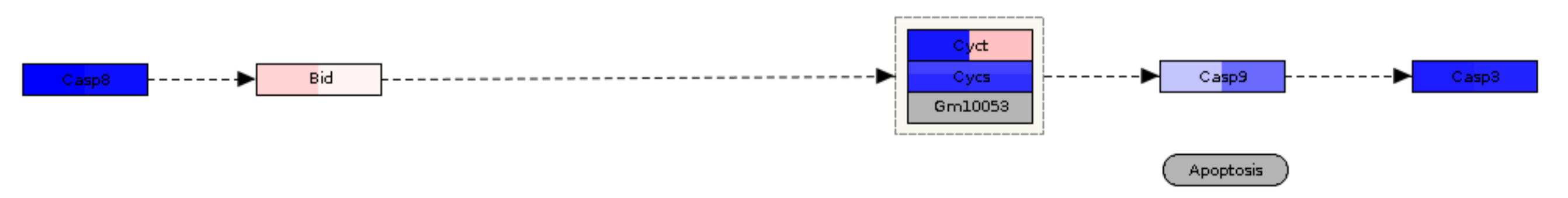
lac muscle contr



Ccnd1

Proteasome

Cell cycle



Red cardiomyop