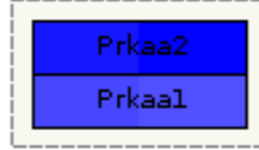
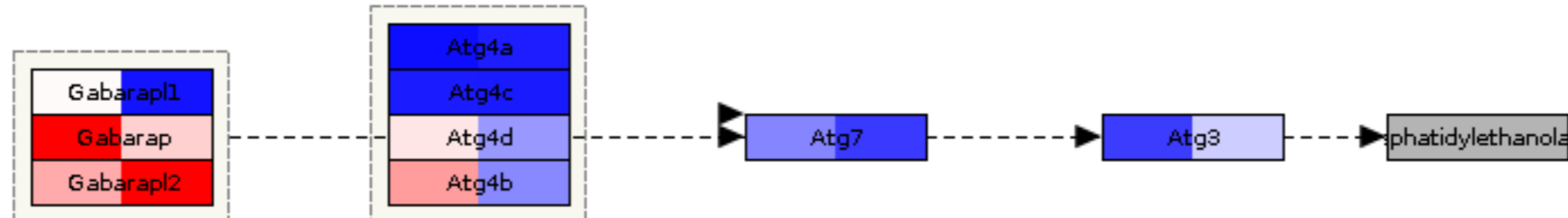
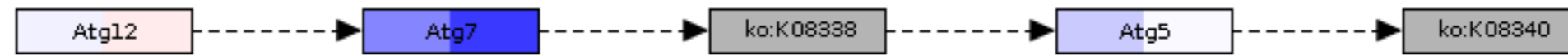
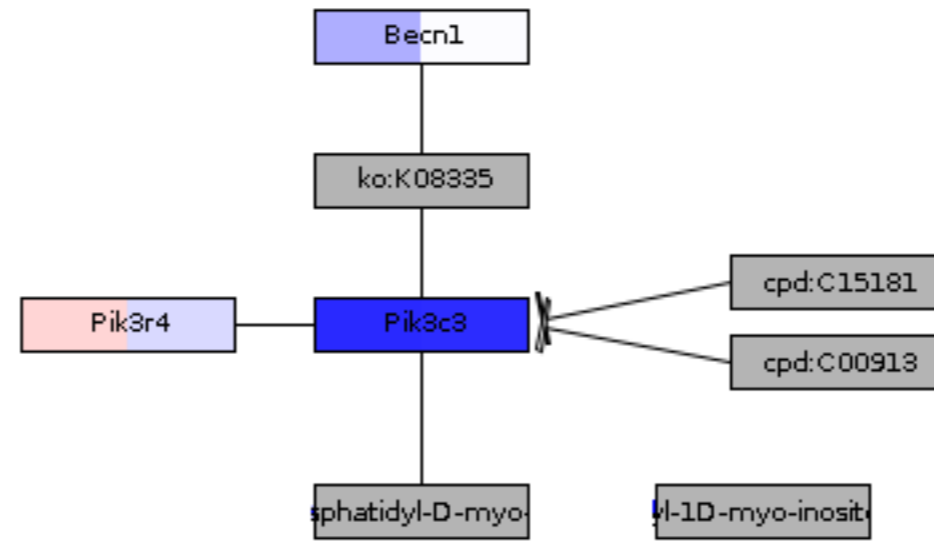
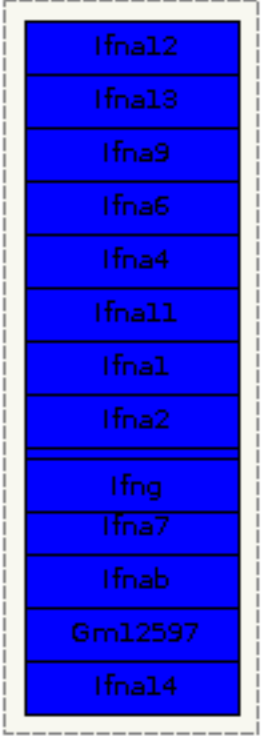
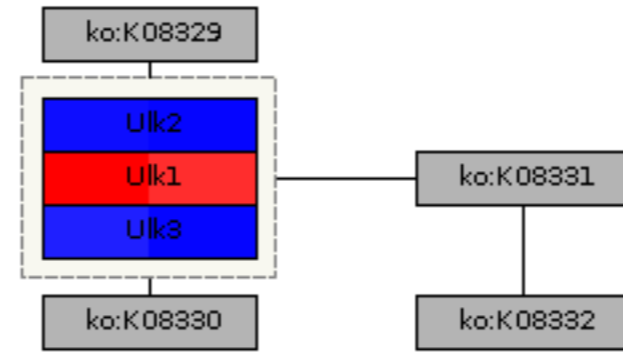


Ins signaling path



PK signaling path

PKR signaling path



Apoptosis

actions in vesicle

processing and pr