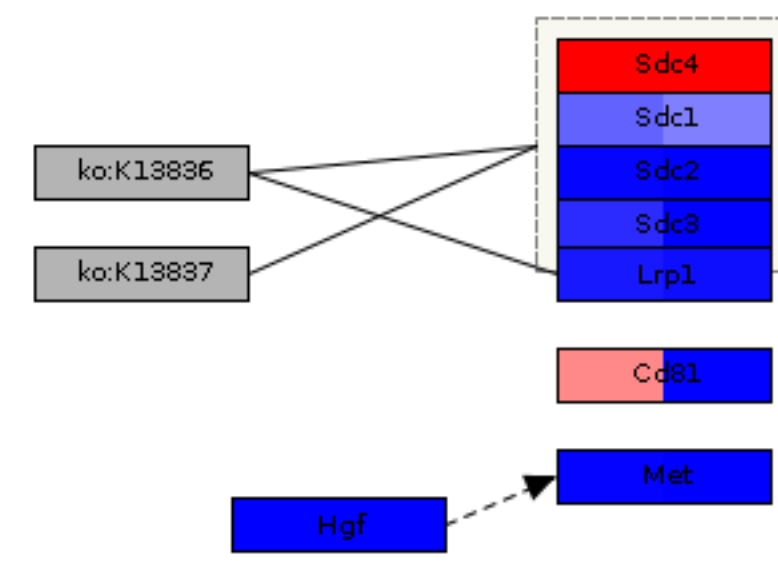


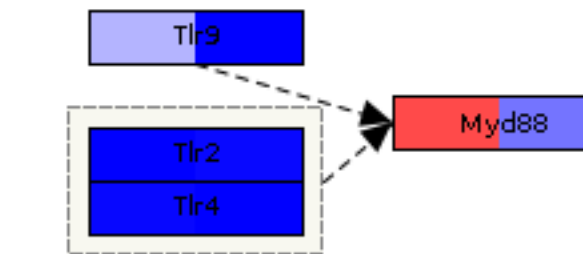
ko.K13833
ko.K13834
ko.K13835



Hbb-b1
Hba-a2
Hbb-b2

ko.K13850
ko.K13851
ko.K13852

receptor signaling



Itga
Itib

Kira4

Iti0
Tofb2
Tofb1
Tofb3

ko.K10090

Itb

Itbif chemokine

Csf3

Itib

Tnf

Itng

ko.K13843
ko.K13841
ko.K13839
ko.K13838
ko.K13840
ko.K13842
ko.K13844
ko.K13846

ko.K13847

ko.K13848

ko.K13849

Darc

Gypa

Gypc

Kira4
ko.K10785
ko.K10784

cpd.G00054

Cd98

ko.K04011

ko.K13850

It and coagulat

Cd98

Itgb2
Itga1
Itgb3
C6orf97

Salp

Itgb2
Itga1
Itgb3

Itgam1

Cd98

Itgam1
Itba1
Comp
Itba2
Sals

Chondroitin 4-sulf

cpd.G10505

Itgam1

Cd40

Nitric oxide

hesion molecules

Apoptosis