

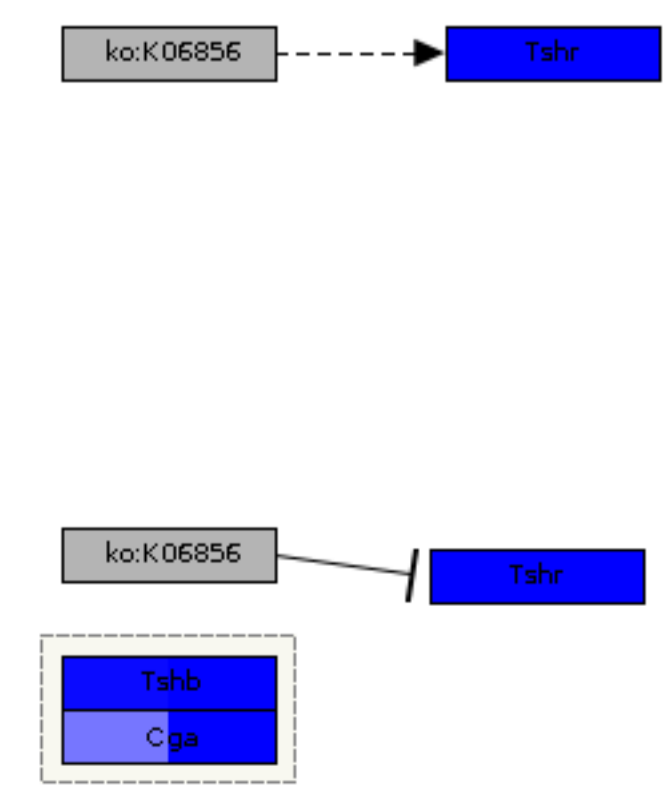
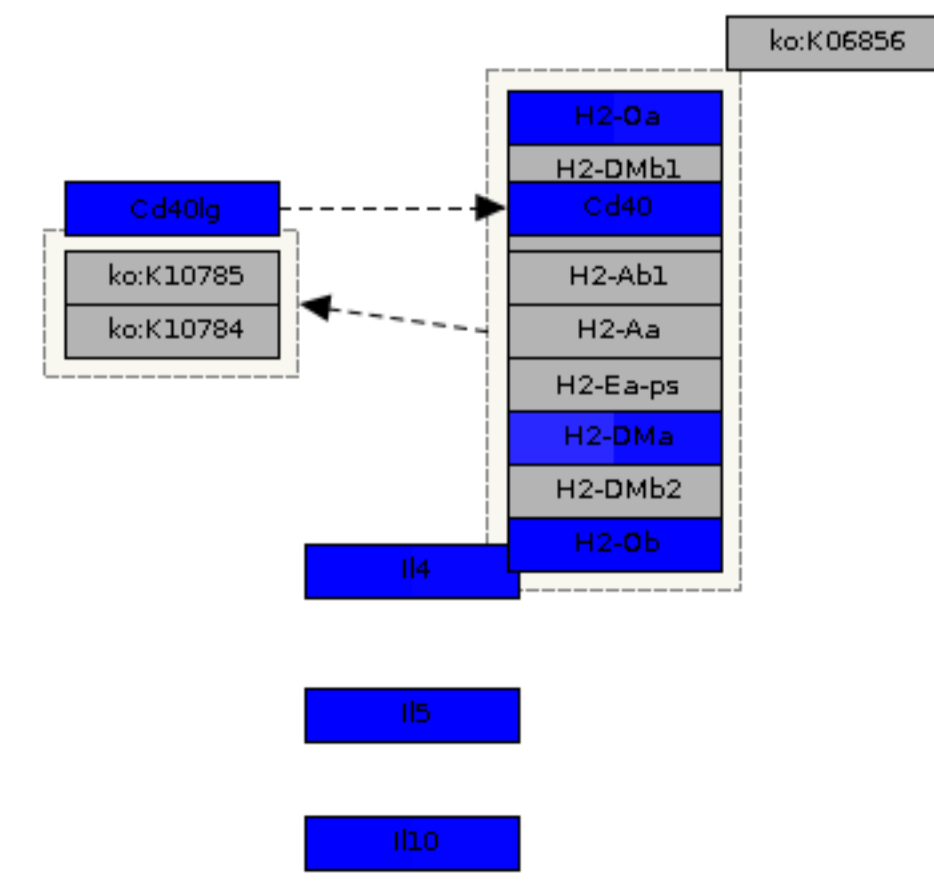
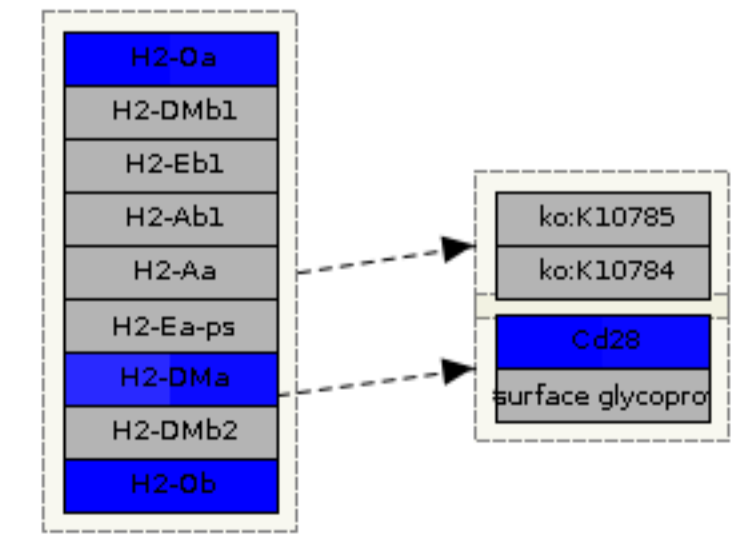
Processing and pr

receptor signaling

fit and coagulat

receptor signaling

lesion molecules



Apoptosis

Triiodothyronine

3,5-diiodophenyl-3,5