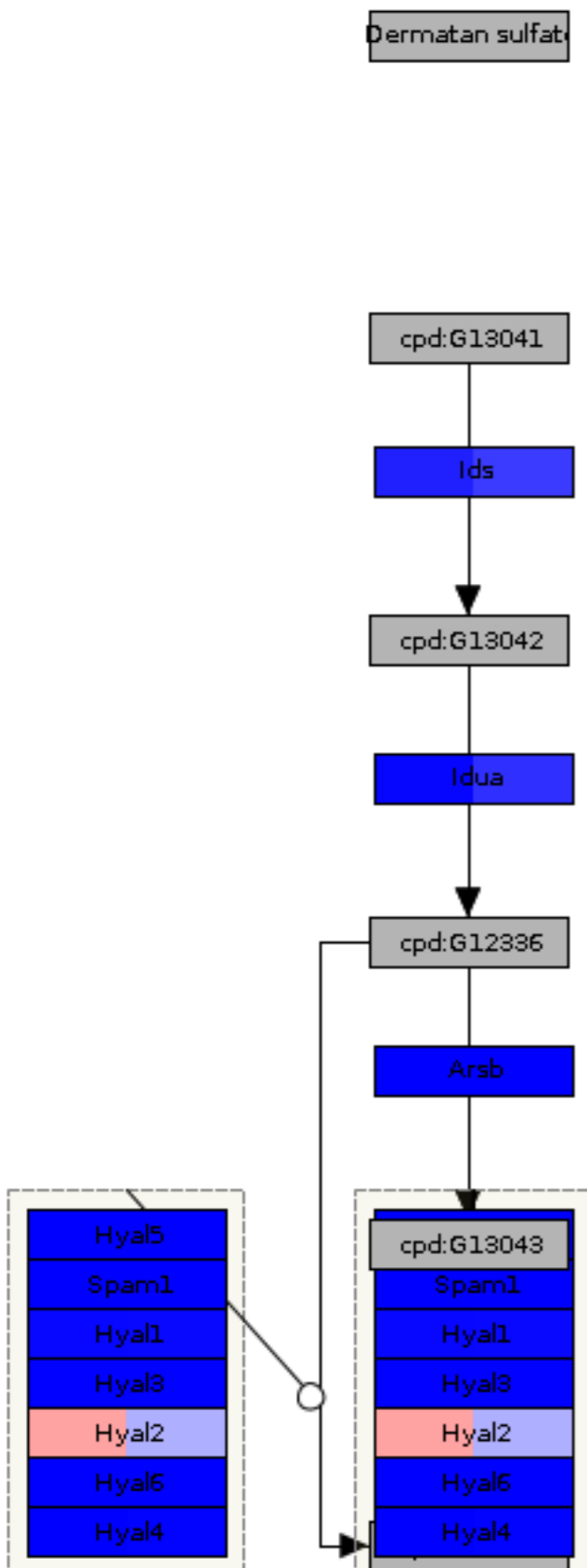


in biosynthesis -

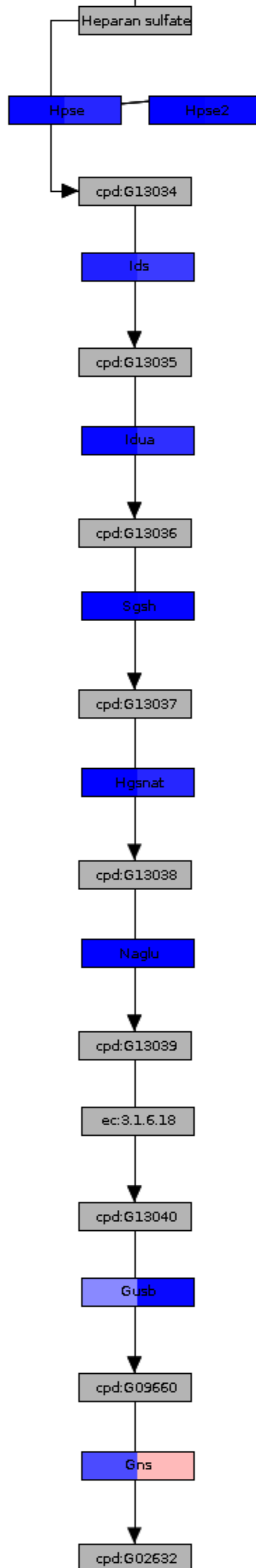
in biosynthesis

in biosynthesis

Dermatan sulfate



Chondroitin 4-sulfate



Keratan sulfate

