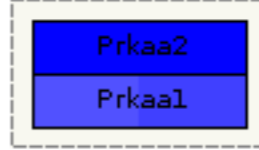


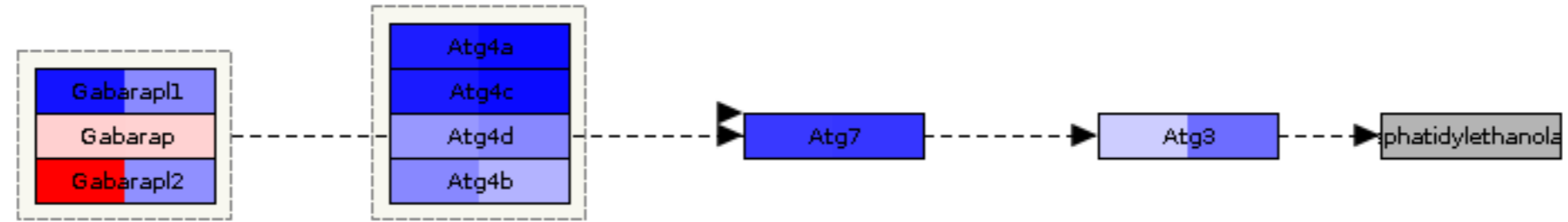
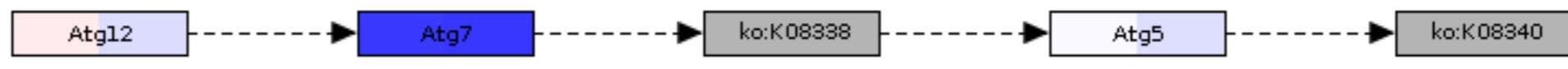
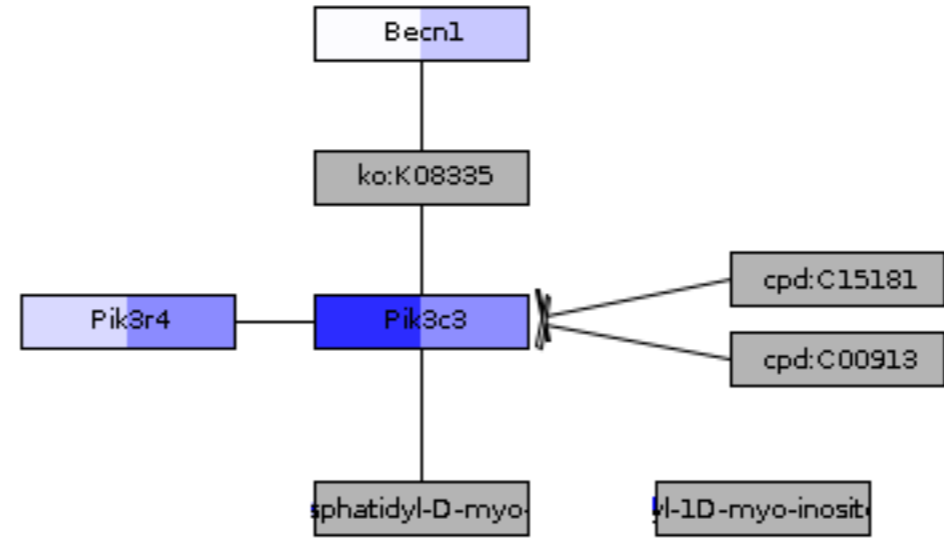
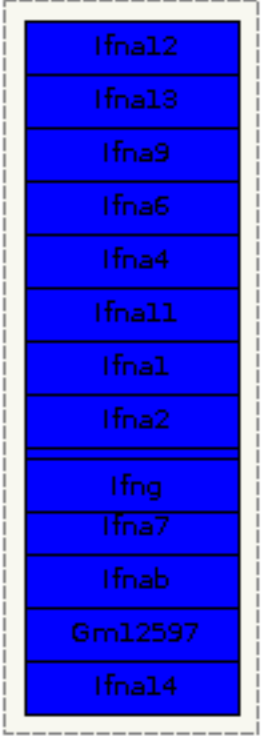
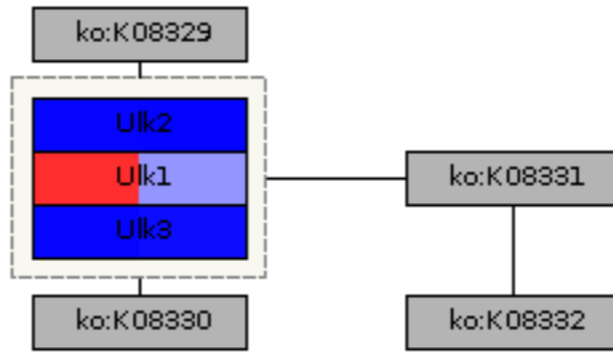


Ins signaling path



PK signaling path

PK signaling path



Apoptosis

actions in vesicu

ocessing and pr