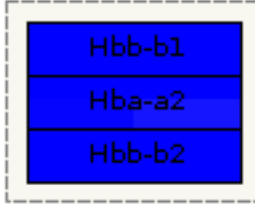
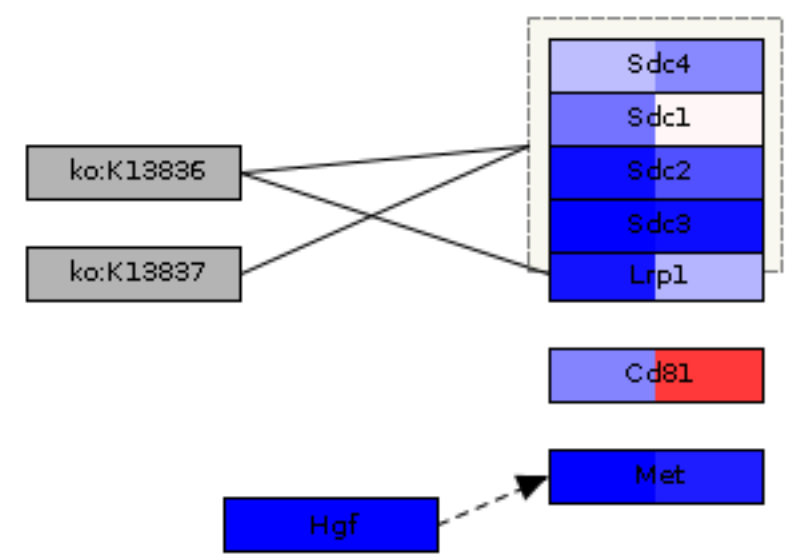


ko:K13833

ko:K13834

ko:K13835

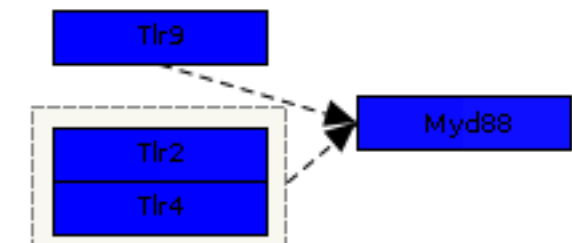


ko:K13850

ko:K13851

ko:K13852

receptor signaling



It2a

It3

K9a4



ko:K10030

Il6

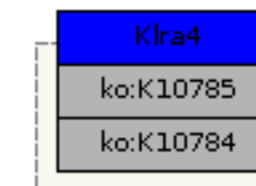
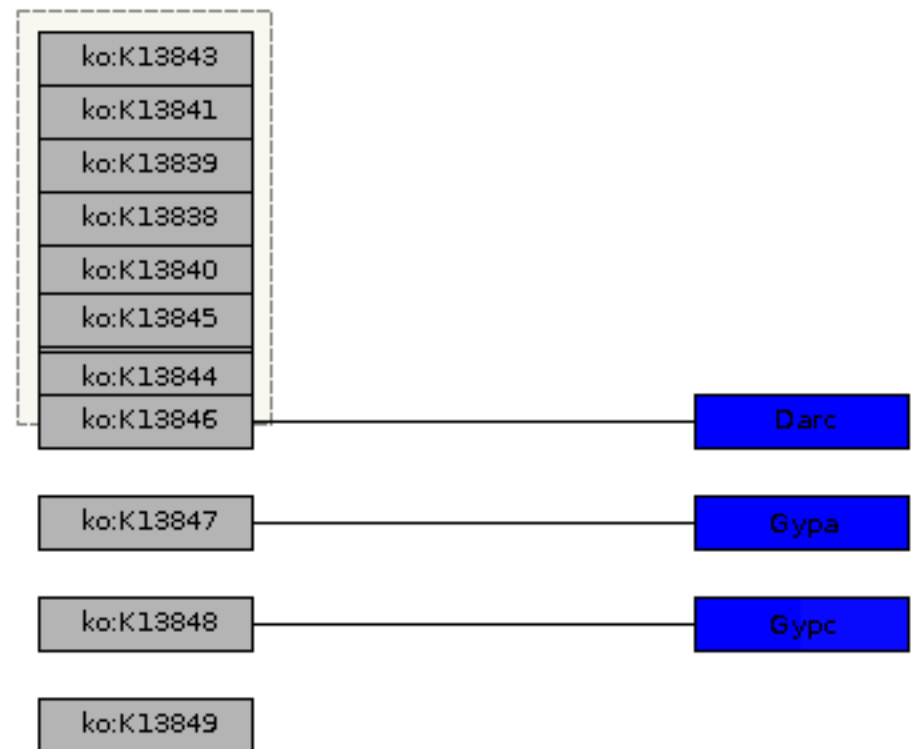
lctf1 chemokine

Ccl3

Il1b

Tnf

Il1g



Nitric oxide

hesion molecules

Apoptosis

