

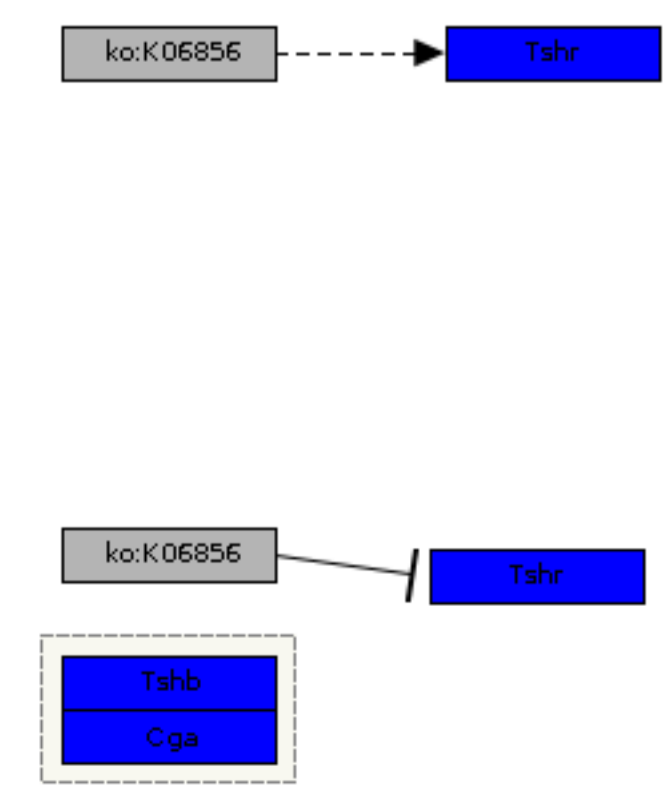
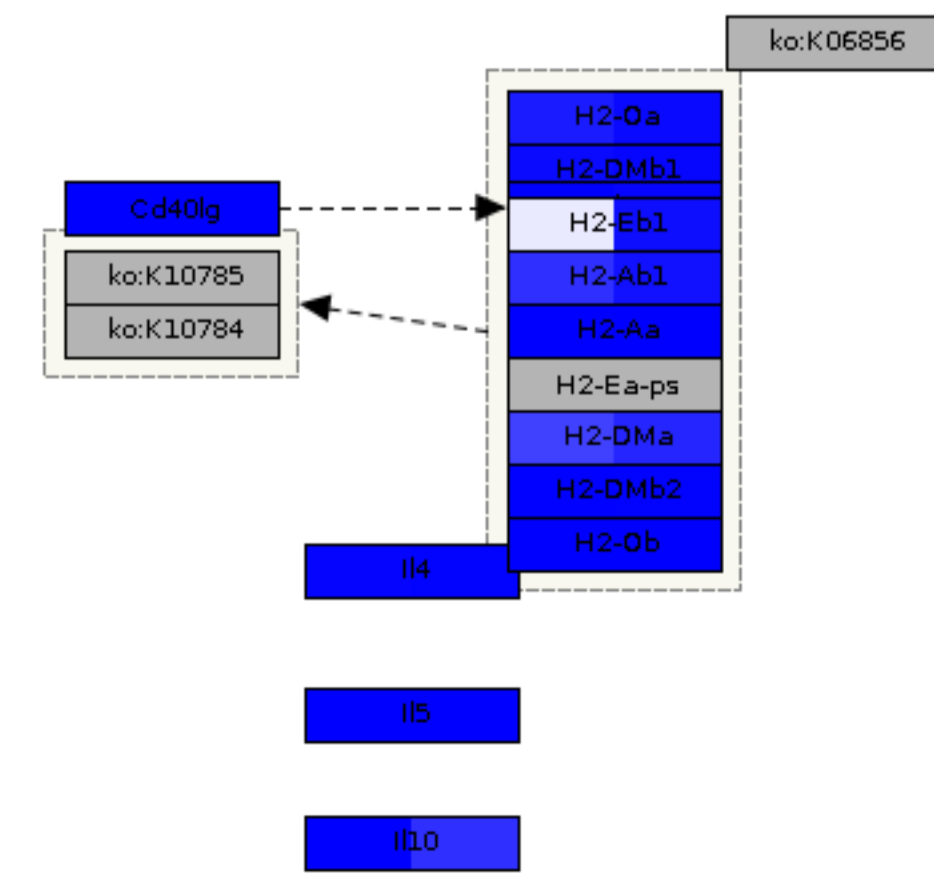
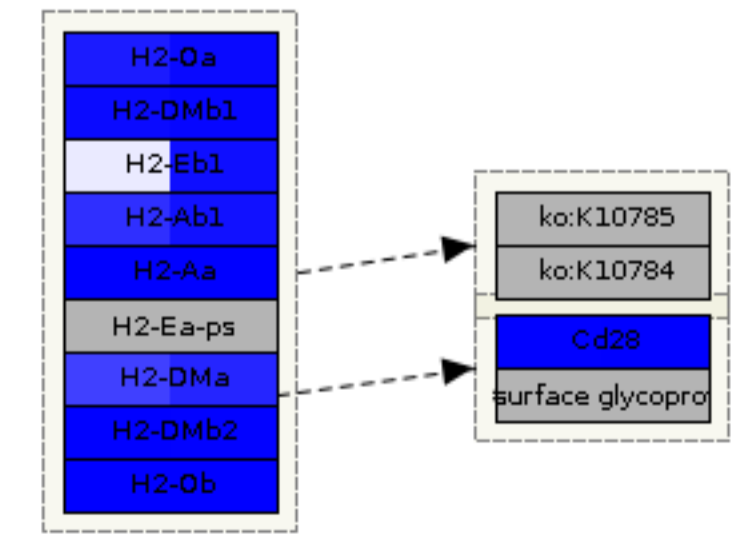
Processing and presentation

Receptor signaling

Receptor signaling

Blood clotting and coagulation

Lesion molecules



Triiodothyronine

3,5-bis(4-hydroxyphenyl)-L-tyrosine

Apoptosis